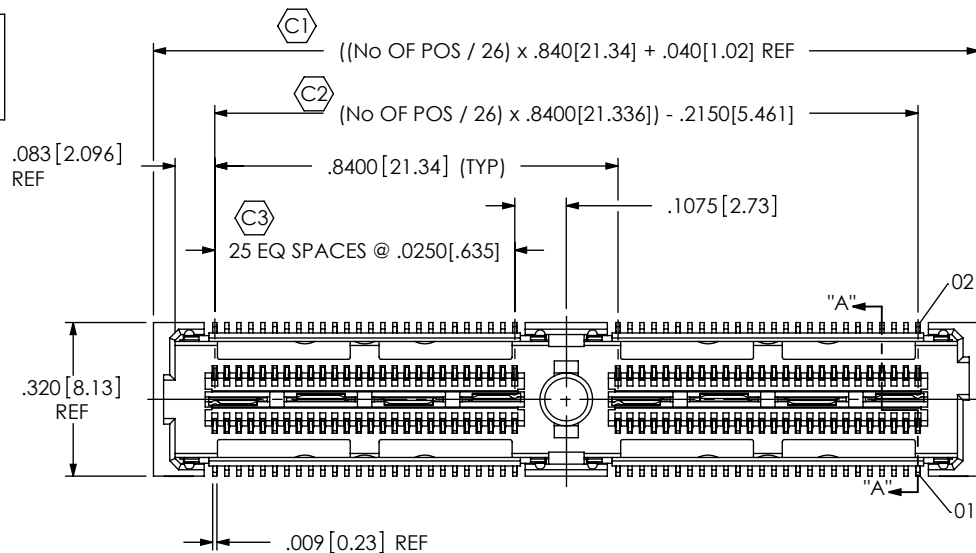


DO NOT SCALE FROM THIS PRINT

QFSS-XXX-XX.XX-X-D-X-XXX-XX



No OF POSITIONS  
-026, -052, -078, -104, \* -130 (PER ROW)

LEAD STYLE  
-04.25

PLATING SPECIFICATION

-L: LIGHT GOLD (USE C-181-04.25-L)  
-H: HEAVY GOLD (USE C-181-04.25-H)  
(ALL PLATING STYLES USE SH2-01-L & T-1G20-04.25-L)

ROW SPECIFICATION  
-D: DOUBLE

\* = NOT TOOLED  
\*\* = NOT RELEASED

PACKAGING OPTION  
-TR: TAPE & REEL PACKAGING  
(-026 THRU -078 WITHOUT OPTIONS  
-GP OR -PXX, -026 THRU -052 WITH OPTIONS-GP OR -PXX)

OPTION  
-BM: BLIND MATE SHIELD (USE ASP-126355-02-P-L)  
-GP: GUIDE POSTS (SEE FIG. 2, SHEET 2) [NOT AVAILABLE WITH -PXX]  
-PC4: 4 POWER POS PER END (.062" THICK BOARD) (SEE FIG. 3, SHEET 3)(USE C-79-06-S)  
-PC8: 8 POWER POS PER END (.062" THICK BOARD) (SEE FIG. 3, SHEET 3)(USE C-79-06-S)  
\*\*PT4: 4 POWER POS PER END (.093" THICK BOARD) (SEE FIG. 3, SHEET 3)(USE C-79-09-S)  
\*\*PT8: 8 POWER POS PER END (.093" THICK BOARD) (SEE FIG. 3, SHEET 3)(USE C-79-09-S)  
-P: PICK & PLACE PAD (USE PPP-51, SEE FIG. 4, SHEET 4)  
[-PXX NOT AVAILABLE WITH -GP]  
[-PXX AVAILABLE ON POSITIONS -026, -052 & -078 ONLY]

OPTION  
-A: ALIGNMENT PIN (NOT AVAILABLE WITH -PXX)

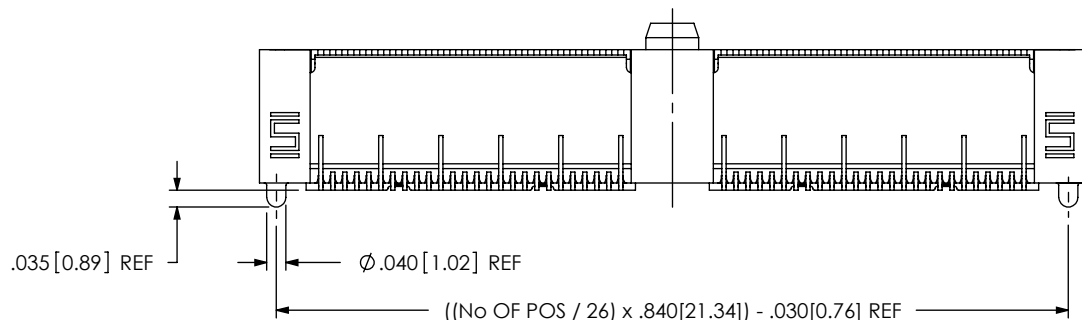
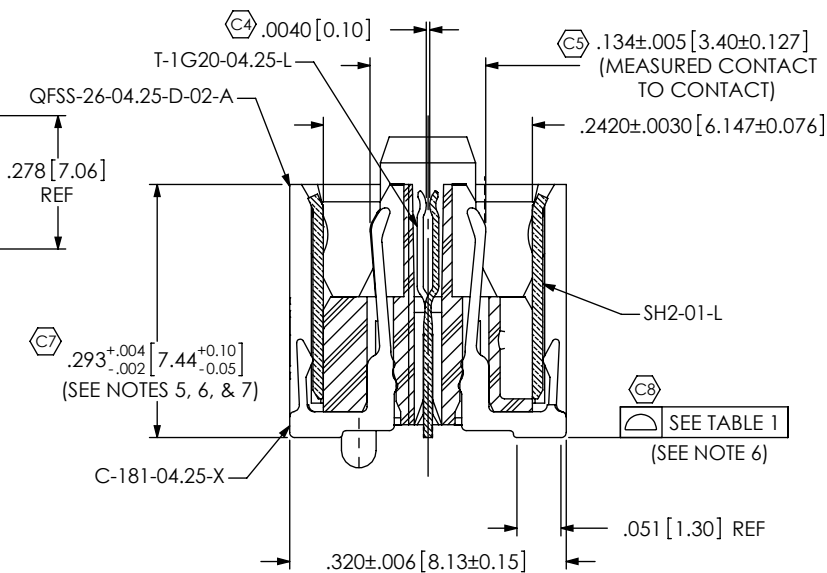
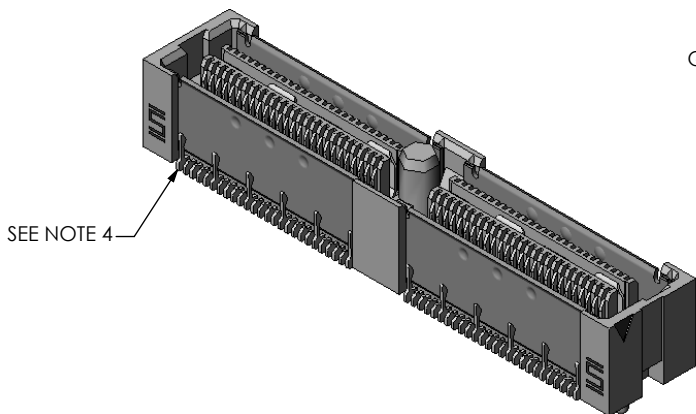


FIG. 1  
QFSS-052-04.25-X-D-A SHOWN



SECTION "A"- "A"  
SCALE 4.5 : 1

TABLE 1		
No OF POSITIONS	No OF BANKS	COPLANARITY
-026 THRU -078	1 THRU 3	.004[.10]
-104 AND -130	4 AND 5	.006[.15]

NOTES:

1. (C) REPRESENTS A CRITICAL DIMENSION.
2. BURR ALLOWANCE: .0015[0.038] MAX.
3. MINIMUM PUSHOUT FORCE: SIGNAL: .5 LB, SHIELD/GROUND: 1 LB, POWER PIN: .5 LB.
4. TERMINALS IN THE FIRST ROW OF EACH BANK AND EVERY FIFTH ROW AFTER THAT WILL NOT BE SHEARED.
5. MAX VARIANCE OF .002[0.05].
6. DIMENSION APPLIES TO CONTACTS & GROUND PLANE.
7. GROUND PLANE PRESS HEIGHT MUST BE .003[.08] LESS THAN THE MAX HEIGHT OR .001[.03] GREATER THAN THE MINIMUM HEIGHT OF THE TERMINAL.
8. DISREGARD ANY BREAK-OFF BURRS FOR THIS DIMENSION.
9. PARTS TO BE PACKAGED IN TRAYS AS STANDARD

PATENT NUMBERS  
6739884/ 7165994  
7121849

UNLESS OTHERWISE SPECIFIED, DIMENSIONS ARE IN INCHES. TOLERANCES ARE:  
DECIMALS ANGLES  
.XX: ±.01 [.3] 2°  
.XXX: ±.005 [.13]  
.XXXX: ±.0020 [.051]

PROPRIETARY NOTE  
THIS DOCUMENT CONTAINS INFORMATION CONFIDENTIAL AND PROPRIETARY TO SAMTEC, INC. AND SHALL NOT BE REPRODUCED OR TRANSFERRED TO OTHER DOCUMENTS OR DISCLOSED TO OTHERS OR USED FOR ANY PURPOSE OTHER THAN THAT WHICH IT WAS OBTAINED WITHOUT THE EXPRESSED WRITTEN CONSENT OF SAMTEC, INC.



520 PARK EAST BLVD, NEW ALBANY, IN 47150  
PHONE: 812-944-6733 FAX: 812-948-5047  
e-Mail: info@SAMTEC.com code: 55322

MATERIAL: DO NOT SCALE DRAWING SHEET SCALE: 2.5:1  
INSULATOR: VECTRA E130, COLOR: BLACK  
TERMINAL, GROUND PLANE, & SHIELD: PHOS BRONZE:

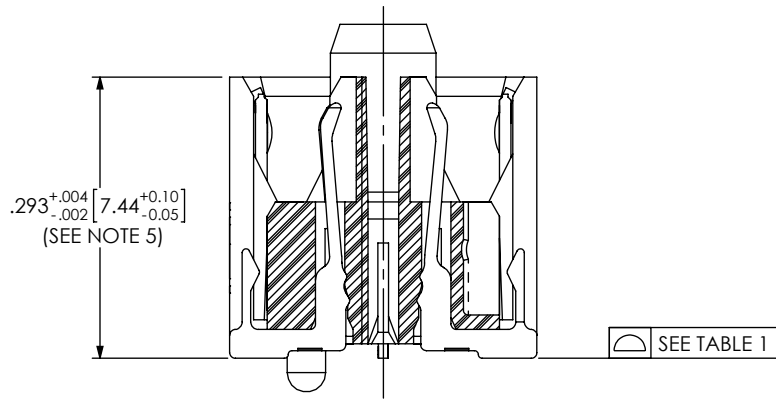
DESCRIPTION:  
.635mm DOUBLE ROW SHIELDED TERMINAL STRIP

DWG. NO.  
QFSS-XXX-XX.XX-X-D-X-XXX-XX

BY: CHAD F 05/28/2002 SHEET 1 OF 4

REVISION T

IN-PROCESS 1



CONTACT DETAILS

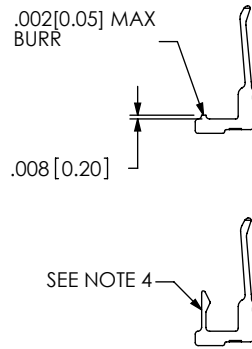


TABLE 2		
ASSEMBLY	"A"	"B"
QFSS-026-04.25-X-D-A-GP	1.050[26.67]	1.330[33.78]
QFSS-052-04.25-X-D-A-GP	1.890[48.00]	2.170[55.12]
QFSS-078-04.25-X-D-A-GP	2.730[69.34]	3.010[76.45]
QFSS-104-04.25-X-D-A-GP	3.570[90.68]	3.850[97.79]
* QFSS-130-04.25-X-D-A-GP	4.410[112.01]	4.690[119.13]

\* NOT TOOLED

IN-PROCESS 2

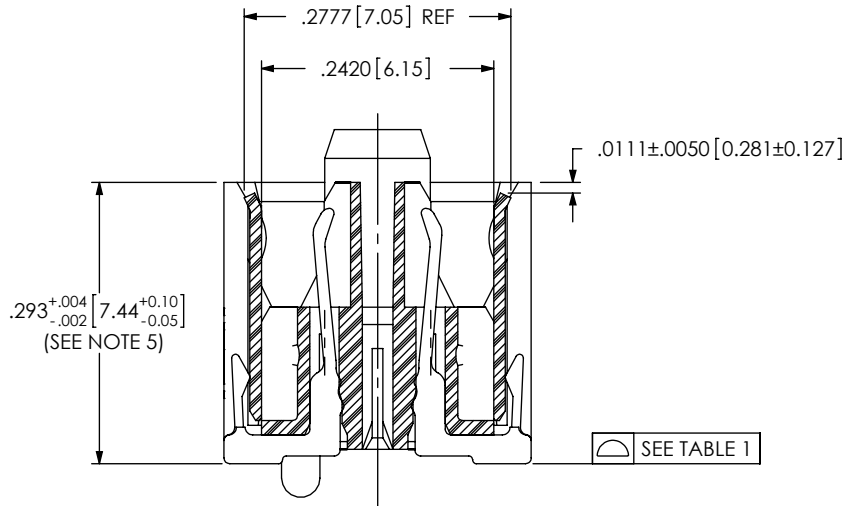
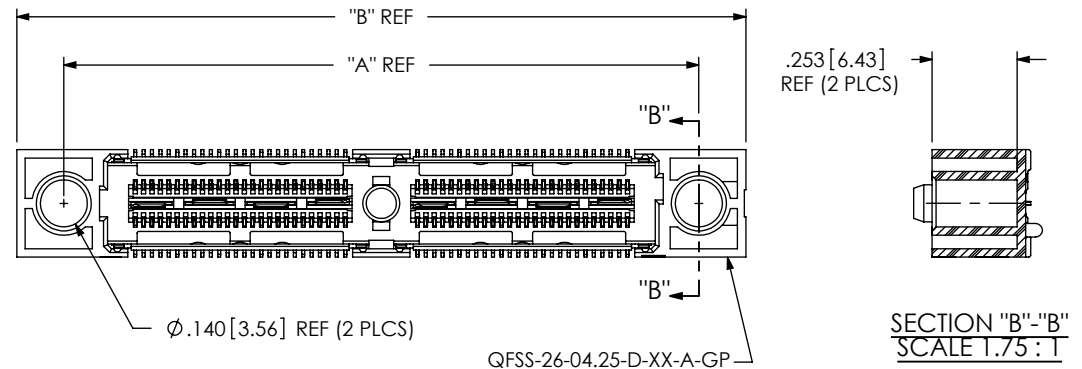


FIG. 2  
-GP: GUIDE POST OPTION  
(QFSS-052-04.25-X-D-A-GP SHOWN)  
[NOT AVAILABLE WITH -PXX OPTIONS]



PROPRIETARY NOTE

THIS DOCUMENT CONTAINS INFORMATION CONFIDENTIAL AND PROPRIETARY TO SAMTEC, INC. AND SHALL NOT BE REPRODUCED OR TRANSFERRED TO OTHER DOCUMENTS OR DISCLOSED TO OTHERS OR USED FOR ANY PURPOSE OTHER THAN THAT WHICH IT WAS OBTAINED WITHOUT THE EXPRESSED WRITTEN CONSENT OF SAMTEC, INC.

DO NOT SCALE DRAWING

SHEET SCALE: 2.5:1

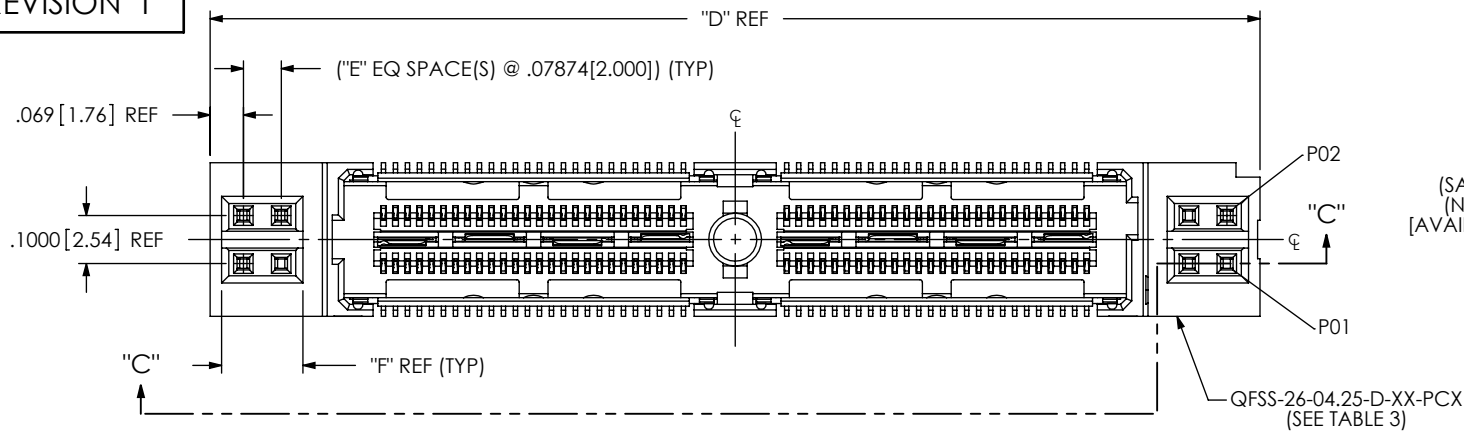
**samtec**

520 PARK EAST BLVD, NEW ALBANY, IN 47150  
PHONE: 812-944-6733 FAX: 812-948-5047  
e-Mail: info@SAMTEC.com code: 55322

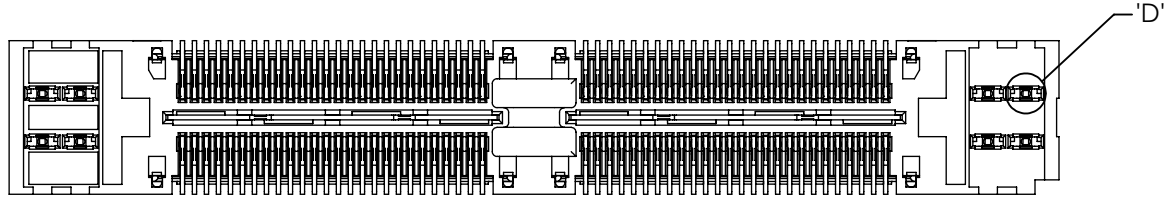
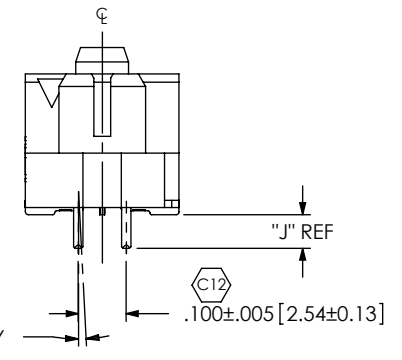
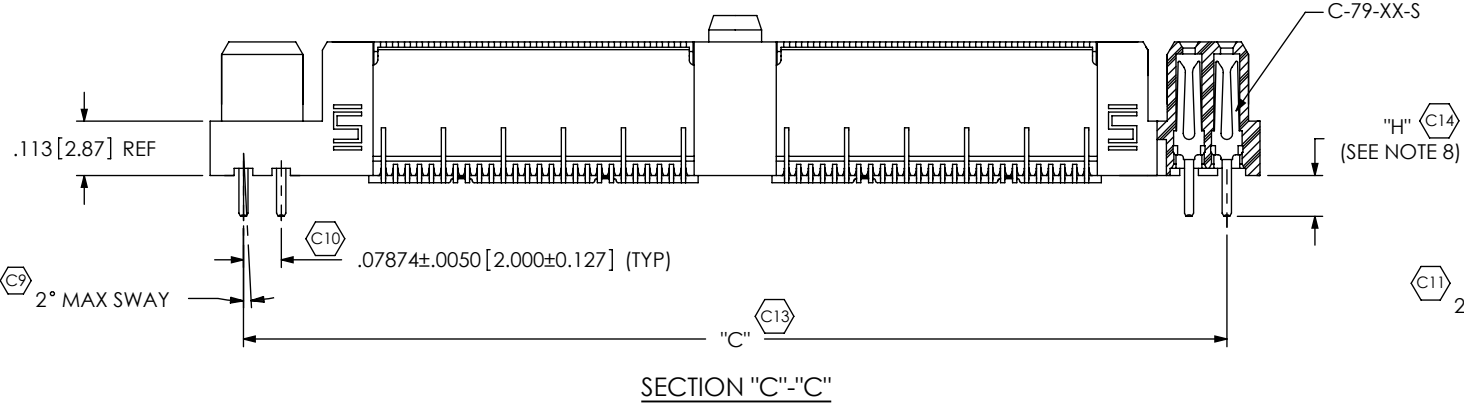
DESCRIPTION:  
.635mm DOUBLE ROW SHIELDED TERMINAL STRIP

DWG. NO.  
QFSS-XXX-XX.XX-X-D-X-XXX-XX

BY: CHAD F 05/28/2002 SHEET 2 OF 4



**FIG. 3**  
 POWER COMBO OPTIONS  
 (QFSS-052-04.25-X-D-PC4 SHOWN)  
 (SAME AS FIG. 1, UNLESS OTHERWISE STATED)  
 (NOT AVAILABLE WITH -A OR -GP OPTIONS)  
 [AVAILABLE ON -026, -052 & -078 POSITIONS ONLY]



**TABLE 5**

POWER OPTION	CONTACT	"H"	"J"
PC4/PC8	C-79-06-S	.085[2.16]	.070[1.78]
PT4/PT8	C-79-09-S	.125[3.18]	.110[2.79]

\*\*NOT RELEASED

**TABLE 3**

ASSEMBLY	QFSS-26-04.25-D-XX-PCX	"C"	"D"	"E"	"F"
QFSS-026-01-X-D-X-PX4	QFSS-26-04.25-D-01-PC4	1.209[30.70]	1.347[34.21]	1	.170[4.31]
QFSS-026-01-X-D-X-PX8	QFSS-26-04.25-D-01-PC8	1.524[38.70]	1.662[42.21]	3	.327[8.31]
QFSS-052-01-X-D-X-PX4	QFSS-26-04.25-D-02-PC4	2.049[52.04]	2.187[55.55]	1	.170[4.31]
QFSS-052-01-X-D-X-PX8	QFSS-26-04.25-D-02-PC8	2.364[60.04]	2.502[63.55]	3	.327[8.31]
QFSS-078-01-X-D-X-PX4	QFSS-26-04.25-D-03-PC4	2.889[73.37]	3.027[76.89]	1	.170[4.31]
QFSS-078-01-X-D-X-PX8	QFSS-26-04.25-D-03-PC8	3.204[81.37]	3.342[84.89]	3	.327[8.31]

**PROPRIETARY NOTE**

THIS DOCUMENT CONTAINS INFORMATION CONFIDENTIAL AND PROPRIETARY TO SAMTEC, INC. AND SHALL NOT BE REPRODUCED OR TRANSFERRED TO OTHER DOCUMENTS OR DISCLOSED TO OTHERS OR USED FOR ANY PURPOSE OTHER THAN THAT WHICH IT WAS OBTAINED WITHOUT THE EXPRESSED WRITTEN CONSENT OF SAMTEC, INC.

DO NOT SCALE DRAWING

SHEET SCALE: 2.5:1

**DETAIL 'D'**  
 SCALE 8:1



520 PARK EAST BLVD, NEW ALBANY, IN 47150  
 PHONE: 812-944-6733 FAX: 812-948-5047  
 e-Mail: info@SAMTEC.com code: 55322

DESCRIPTION:  
 .635mm DOUBLE ROW SHIELDED TERMINAL STRIP

DWG. NO.  
**QFSS-XXX-XX.XX-X-D-X-XXX-XX**

BY: CHAD F 05/28/2002 SHEET 3 OF 4

FIG. 4  
-P: PICK & PLACE PAD OPTION

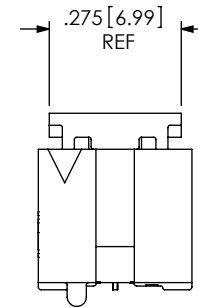
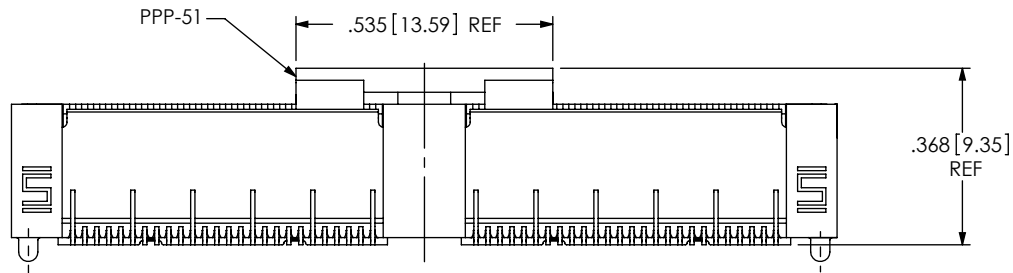
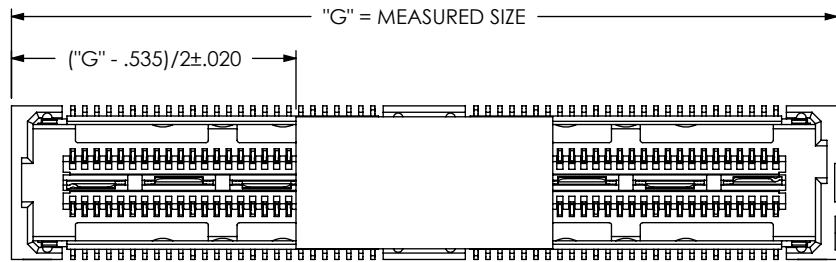
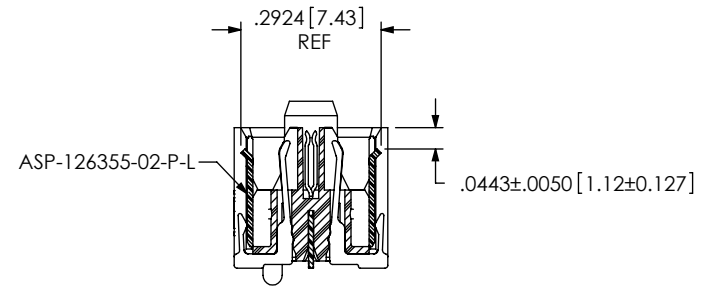
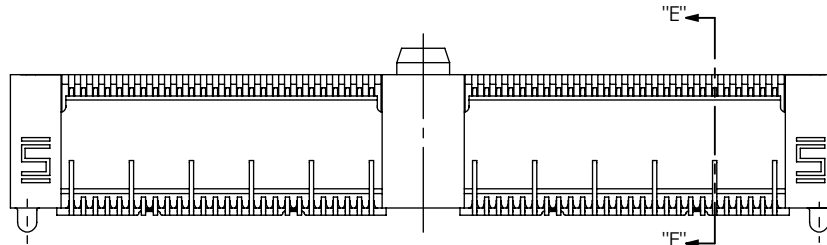



FIG. 5

QFSS-052-04.25-X-D-A-BM SHOWN  
(SAME AS FIG. 1, UNLESS OTHERWISE STATED)



SECTION "E"-"E"

<p>PROPRIETARY NOTE THIS DOCUMENT CONTAINS INFORMATION CONFIDENTIAL AND PROPRIETARY TO SAMTEC, INC. AND SHALL NOT BE REPRODUCED OR TRANSFERRED TO OTHER DOCUMENTS OR DISCLOSED TO OTHERS OR USED FOR ANY PURPOSE OTHER THAN THAT WHICH IT WAS OBTAINED WITHOUT THE EXPRESSED WRITTEN CONSENT OF SAMTEC, INC.</p> <p>DO NOT SCALE DRAWING</p> <p>SHEET SCALE: 2.5:1</p>		
	<p>520 PARK EAST BLVD, NEW ALBANY, IN 47150 PHONE: 812-944-6733 FAX: 812-948-5047 e-Mail: info@SAMTEC.com code: 55322</p>	
	<p>DESCRIPTION: .635mm DOUBLE ROW SHIELDED TERMINAL STRIP</p>	
	<p>DWG. NO. QFSS-XXX-XX.XX-X-D-X-XXX-XX</p>	
<p>BY: CHAD F 05/28/2002</p>		<p>SHEET 4 OF 4</p>